

# **RedGum GX200 Chipper**

## **Illustrated Parts Listing (IPL)**

# **RedGum** Products

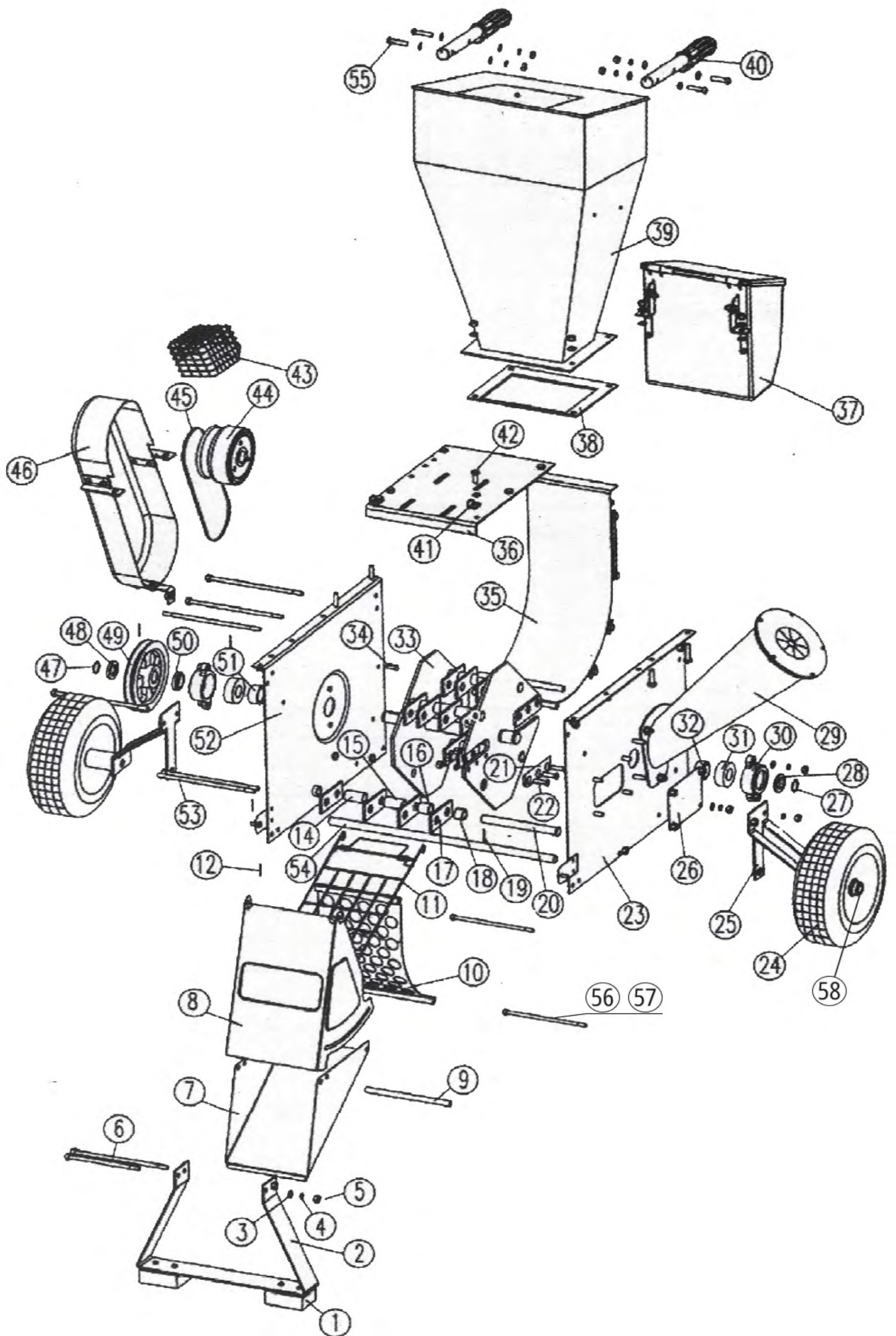
**For more information contact your local RedGum Dealer**

**Visit: [www.RedGumProducts.com.au](http://www.RedGumProducts.com.au)**

**Phone: 1300 039 251**



Follow us on Facebook: [www.facebook.com/redgumproducts](http://www.facebook.com/redgumproducts)



# Specifications

No.	Name	Material	Spec.	Qty	No.	Name	Material	Spec.	Qty
1.	support	neoprene		2	40.	handle grip			2
2.	front support	cold roller steel A3	t3.5	1	41.	hook	steel wire 10#	O3	2
3.	flat gasket			some	42.	hex bolt			some
4.	spring gasket			some	43.	thermal proof cover	10# steel wire	O2	1
5.	nut			some	44.	clutch			1
6.	long bolt	round steel A3	M8*205	3	45.	V belt (A41)	A41 Belt	A1050	
7.	discharge	cold rolled steel Q235	t1	1	46.	belt cover	cold rolled steel Q235		
8.	moveable door	cold rolled steel Q235	t1	1	47.	steel wire ring 2	steel wire 65Mn	O2.5	1
9.	tube	steel tube 20#	O12*1.5	4	48.	steel belt ring	cold rolled steel A3	t3	1
10.	screen			1	49.	belt pulley	HT200		1
11.	safety grid			1	50.	gasket (left)	round steel 45#	O40	1
12.	hatch pin			2	51.	cushion	round steel 45#	O40	1
13.					52.	right steel	cold rolled steel A3	t2.5	1
14.	compartment 1	welded steel tube 20#	O20*1.5	4	53.	bolt	round steel A3	M8*195	3
15.	compartment 2	welded steel tube 20#	O20*1.5	8	54.	wheel axle	round steel 45#		1
16.	compartment 3	welded steel tube 20#	O20*1.5	4	55.	cross belt		M8*35	4
17.	hammer	hot rolled steel 45#	t4.5	16	56.	Screen Pin			2
18.	compartment 4	welded steel tube 20#	O20*1.5	4	57.	R Pin			4
19.	columnar pin		4*20	4	58.	Wheel Axle Cap			2
20.	hammer axis	round steel 45#	O20	4					
21.	blade	W18Cr4V(Cr12MoV)		2					
22.	inner hex screw	round steel 45#	M8*25	6					
23.	left steel board	cold rolled steel A3	t2.5	1					
24.	wheel			2					
25.	real wheel support	cold rolled steel A3	t4	2					
26.	cover	cold rolled steel 10#	t1.2	1					
27.	steel wire ring 1	steel wire 65Mn	O2.5	1					
28.	gasket (right)	round steel 45#	O40	1					
29.	side chute	cold rolled steel 10#	t1.2	1					
30.	bearing seat	HT200		2					
31.	bearing		O25*O52*18	2					
32.	cushion (right)	round steel 45#	O40	1					
33.	blade tray			1					
34.	belt key	A3		1					
35.	rear board			1					
36.	engine seat	cold rolled steel A3	t3.5	1					
37.	tool kit	PP		1					
38.	rubber gasket	butyl		1					
39.	hopper	cold rolled steel 10#	T1.2	1					